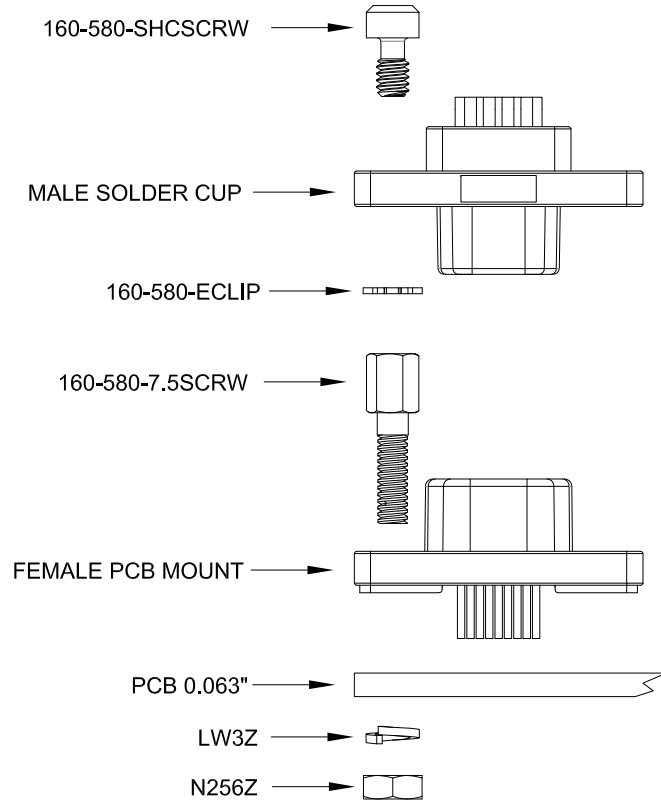
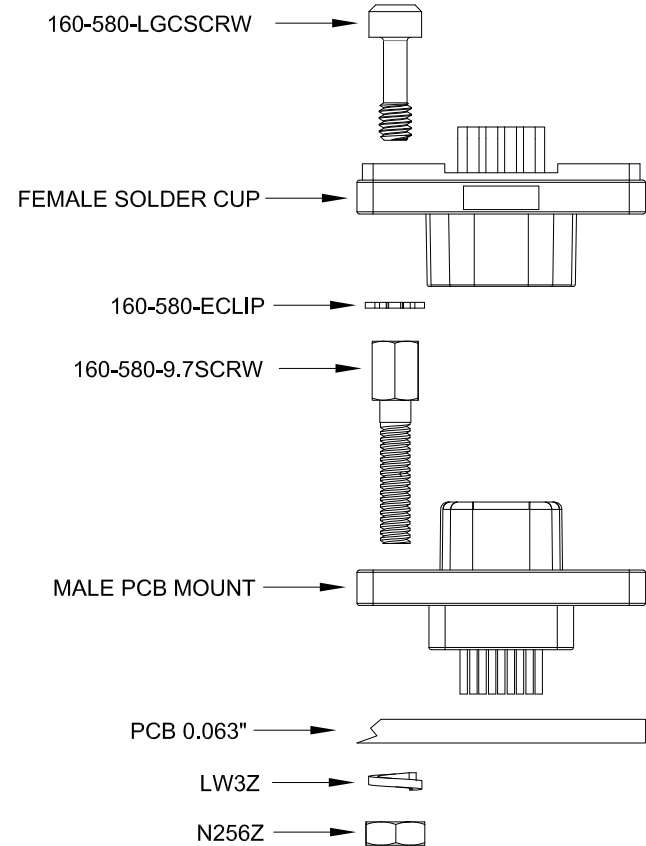


MALE SOLDER CUP TO FEMALE PCB MOUNT
 KIT P/N => 160-580-CSHRKT1
 KIT P/N => 160-580-JSSRKT1



FEMALE SOLDER CUP TO MALE PCB MOUNT
 KIT P/N => 160-580-CLGRKT1
 KIT P/N => 160-580-JSLRKT1



RoHS COMPLIANT



THESE DRAWINGS AND SPECIFICATIONS ARE THE PROPERTY OF NorComp AND SHALL NOT BE REPRODUCED, COPIED OR USED AS THE BASIS FOR THE MANUFACTURE OR SALE OF APPARATUS WITHOUT WRITTEN PERMISSION.

DRAWN:

J. KADEL

DATE:

08/25/2020

DO NOT SCALE FROM DRAWING

NorComp

SCALE:
NTS

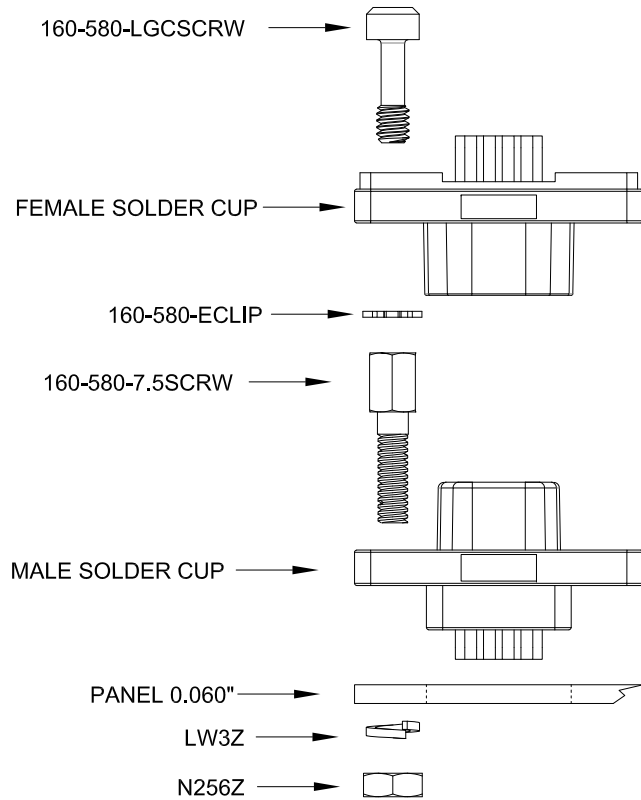
SHEET OF
1 2

REV
1

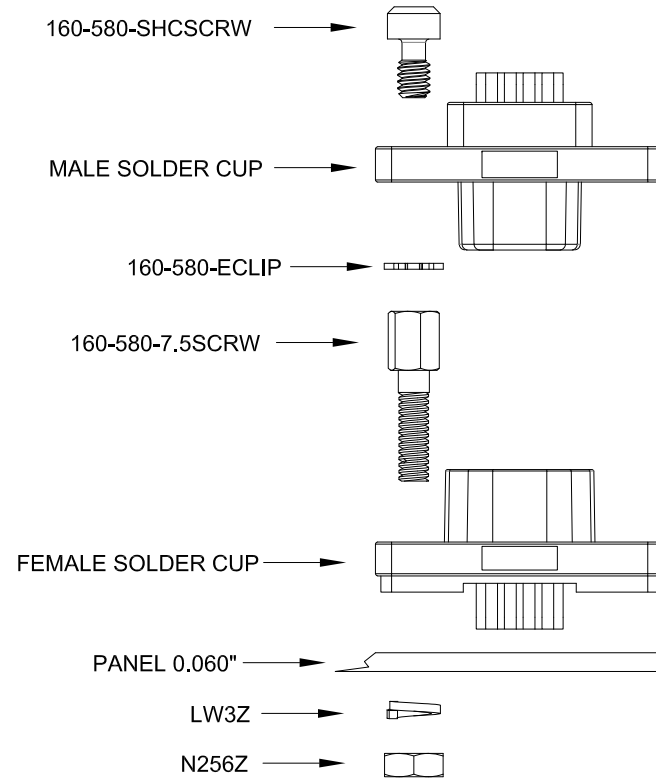
DWG NO.

58Y-M SERIES ASSEMBLY INSTRUCTIONS

FEMALE SOLDER CUP TO MALE PANEL MOUNT
 KIT P/N => 160-580-CLGRKT1
 KIT P/N => 160-580-JSSRKT1



MALE SOLDER CUP TO FEMALE PANEL MOUNT
 KIT P/N => 160-580-CSHRKT1
 KIT P/N => 160-580-JSSRKT1



RoHS COMPLIANT



THESE DRAWINGS AND SPECIFICATIONS ARE THE PROPERTY OF NorComp AND SHALL NOT BE REPRODUCED, COPIED OR USED AS THE BASIS FOR THE MANUFACTURE OR SALE OF APPARATUS WITHOUT WRITTEN PERMISSION.

DRAWN:

J. KADEL

DATE:

08/25/2020

DO NOT SCALE FROM DRAWING

NorComp

SCALE:
NTS

SHEET OF
2 OF 2

REV
1

DWG NO.

58Y-M SERIES ASSEMBLY INSTRUCTIONS